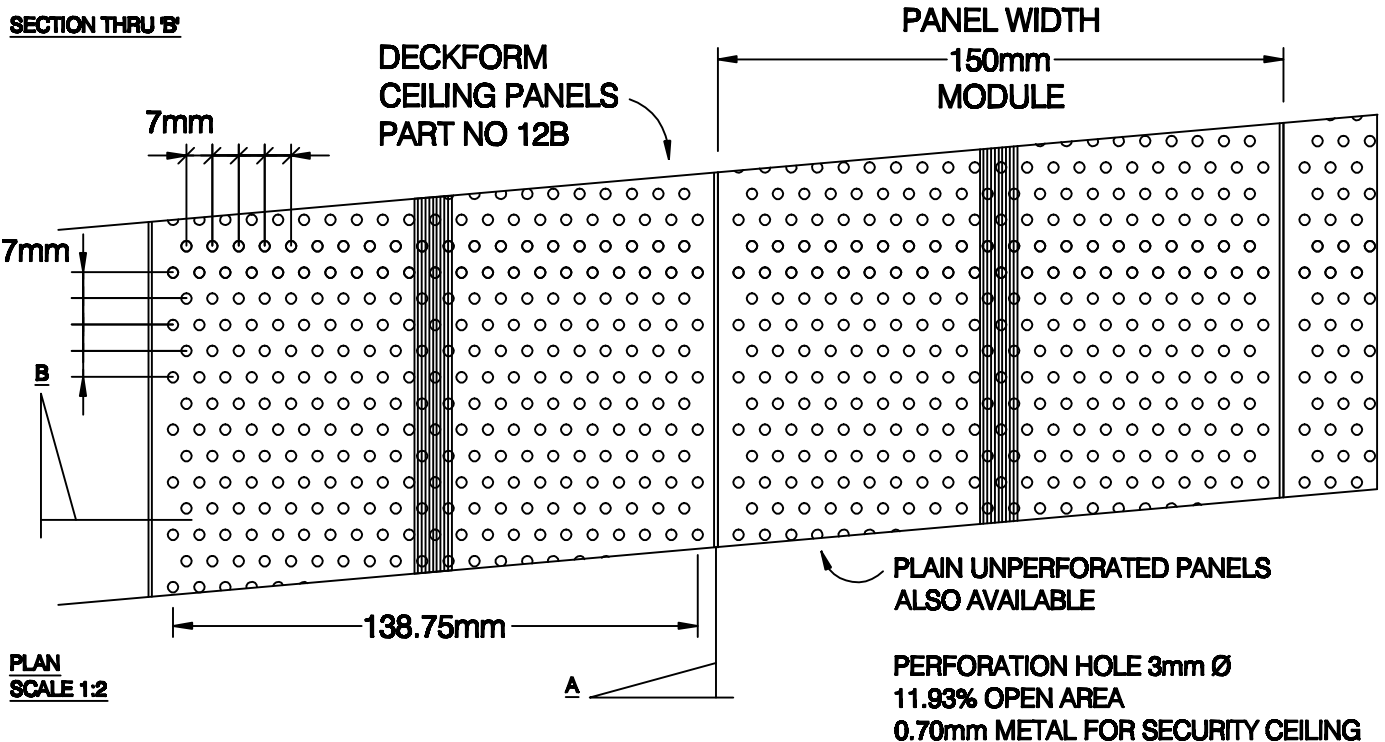
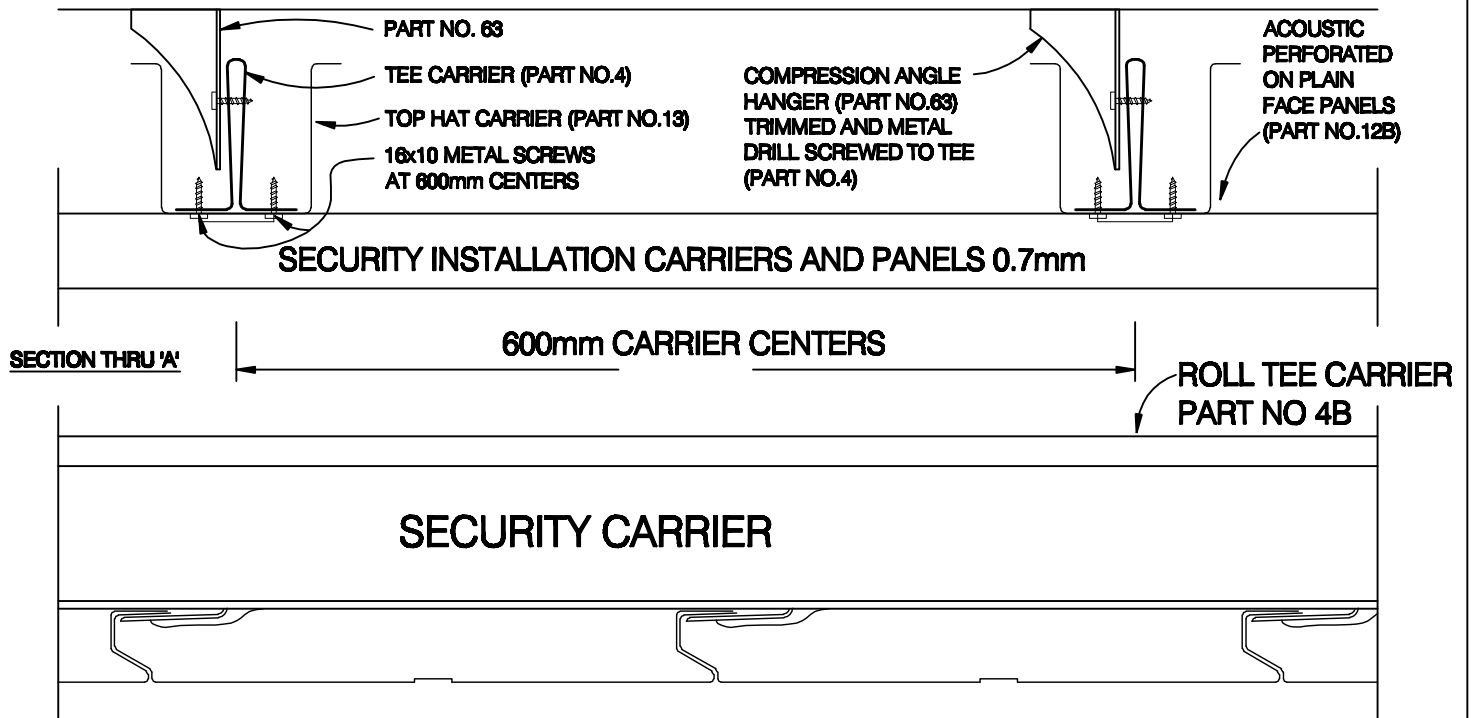


DECKFORM CLADDING - SECURITY FIXING



Grid System Type	CARRIER	ACS does not provide professional design services but gives information to guide decisions by others as to the most suitable ACS ceiling products. ACS does not warrant, and assumes no liability for the accuracy, completeness, applicability, or fitness for purpose for any particular installation, as a result of any information used.
Edge Detail	Purpose Made	
Module	150mm	
Material	Z/Alume or C/Bond	
Main Runner Spacing	600mm for security fixing	
		DRAWING NO. ACS 3
		SCALE: 1:2
		VERSION: 1 DATE: JUNE 2011

**ARCHITECTURAL
 CEILING SYSTEMS** PTY LTD
 CEILINGS DESIGN, MANUFACTURE
 INSTALLATION & CONSULTANT SERVICES