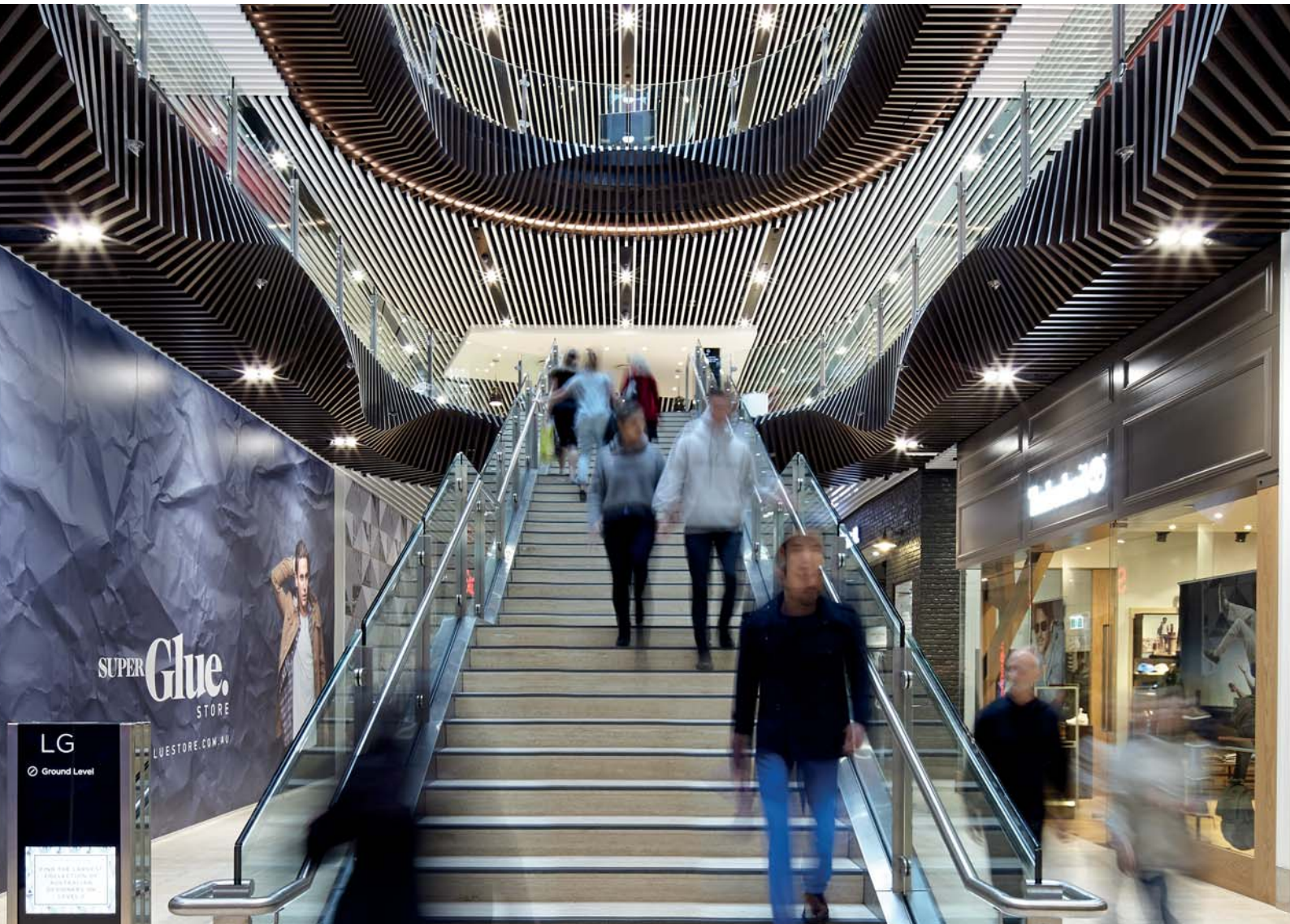


METALWORKS™ BAFFLES



Ultima with Peakform Suprafine XL² 15mm Exposed Tee grid

BENEFITS

- Attractive linear, ceiling system that screens the open plenum.
- Flexible design enables “perimeter to core” or fully “discontinuous” solutions.
- Fast and easy installation.
- Heavy duty Unigridd™ Suspension Channel.
- Four standard colours including two “timberlook” finishes. Special colours available on request.
- Two Baffle depths with flexible modules.
- Baffles produced from durable extruded aluminium.

APPLICATION AREAS

- Open plan spaces
- Foyers / lobbies
- Reception areas
- Airports / Transport terminals
- Waiting areas
- Meeting rooms
- Restaurants



Inspiring Great Spaces™

Armstrong®
CEILING SOLUTIONS

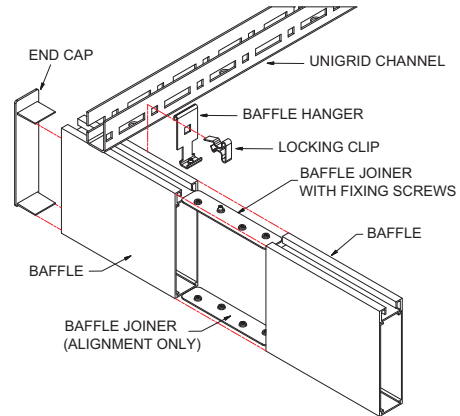
METALWORKS™ BAFFLES

METALWORKS BAFFLE COMPONENTS

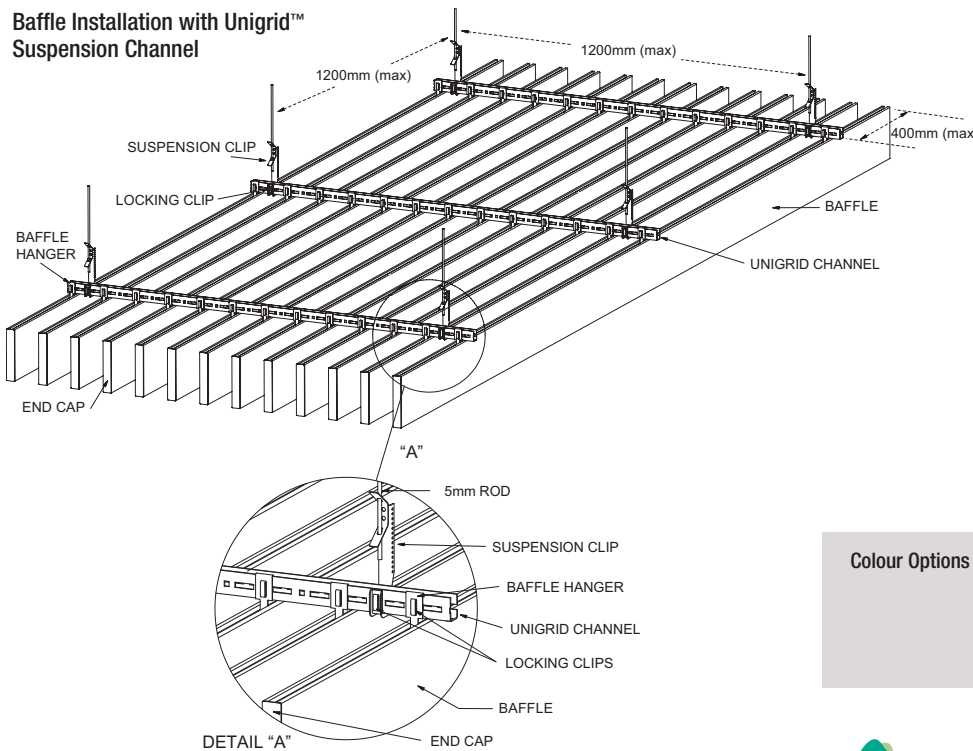
Item	Description	Dimension (mm)		
		Width	Height	Length
BAF1003600*	Baffle	25	100	3600
BAF1503600*	Baffle	25	150	3600
UNI112S	Baffle Joiner	20	—	90
BAF100**	Baffle End Cap (plastic)	25	100	—
BAF150**	Baffle End Cap (plastic)	25	150	—
Suspension System				
UNI111B	Unigrig™ Channel	20	30	3750
UNI103	Unigrig™ Channel Connector	17	23	95
UNIMBH	Baffle Hanger	—	48	—
UNI203B	Suspension Clip for 5mm Rod	—	—	—
UNITRCB	Suspension Clip for M6 Threaded Rod	—	—	—
ROD	5mm Suspension Rod	5	—	4000
UNI200	Locking Clip	—	—	—
UNI202	Unigrig™ Wall Anchor Bracket	25	35	90

* Black (BL), White (WH), Pradoo (PR) or Cabreuva (CA)
 ** Black (BL), White (WH)

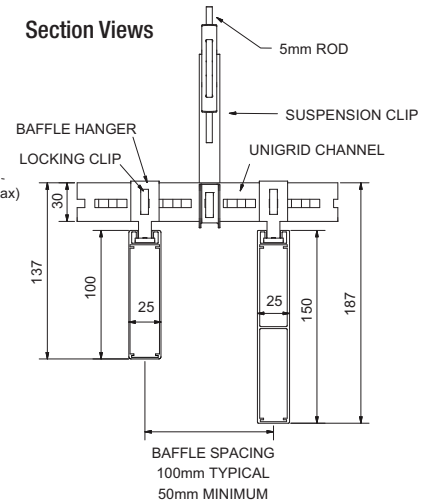
Connection Details



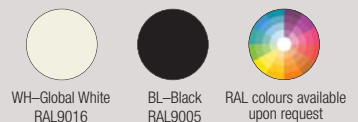
Baffle Installation with Unigrig™ Suspension Channel



Section Views



Colour Options



Armstrong World Industries Pty Ltd
www.armstrongceilings.com.au

NSW
 Telephone (02) 9748 1588

VIC/TAS
 Telephone (03) 8706 4000

QLD/NT
 Telephone (07) 3809 5565

Email: scentre@armstrongceilings.com

©2016 Armstrong World Industries Pty Ltd

AWP0516

Printed on Zanders Mega Recycled paper

Inspiring Great Spaces™

Armstrong
 CEILING SOLUTIONS