



PERLA OP dB

Inspiring Great Spaces™

Armstrong[®]
CEILING SOLUTIONS

PERLA OP dB



36%
EN ISO
14021

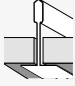
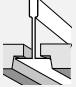
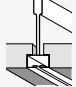

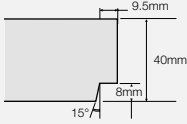
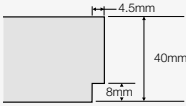
Recycled Content



85%
EN ISO
7724-2 & 3

Light Reflectance

PERLA OP dB

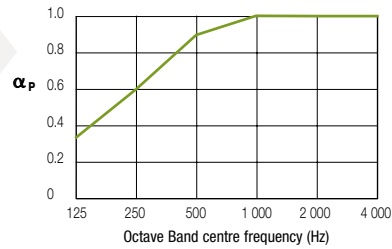
	BOARD	TEGULAR	MICROLOOK 90
			
	Prelude 24 - XL ² /TLX Prelude 24 Sixty ² - XL ² /TLX	Prelude 24 - XL ² /TLX Prelude 24 Sixty ² - XL ² /TLX	Prelude 15 - XL ² /TL Silhouette 6mm - XL ² Interlude HRC - XL ²
			
600 x 600 x 40 mm 1200 x 600 x 40 mm	5044 M 5045 M	5104 M	5114 M



EN ISO 354 &
EN ISO 11654

α_w	NRC	125	250	500	1000	2000	4000	Hz
0.90	0.85	0.35	0.60	0.90	1.00	1.00	1.00	α_p

Sound Absorption Class = A



EN ISO 10848-2
& EN ISO 717-1

D_{nfw}	
40 dB	



EN ISO 140-3
& EN ISO 717-1

R_w	
20 dB	



EEA	Euroclass A2-s1, d0
	EN 13501-1



EN 12667
& ISO 8301

$\lambda = 0.037$ W/m K



ISO 14644-1

ISO 5



95 % RH



15 YEAR
guarantee



30 YEAR
system
guarantee



6.2 kg/m²



Please contact the Armstrong Technical Sales group for further details.

www.armstrongceilings.co.uk
www.armstrongceilings.ie

Armstrong[®]
CEILING SOLUTIONS