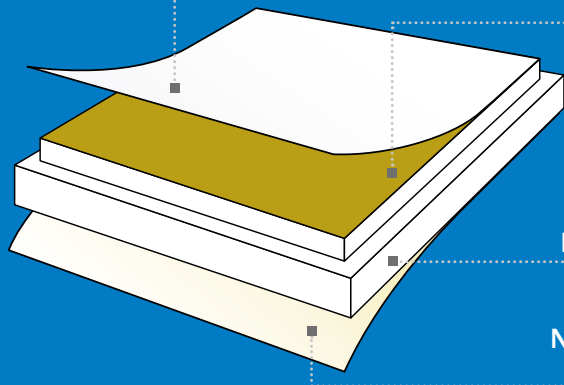


Tonga® E 20

Decorative glass fiber veil white,
Eurocolors or patterns

High density
stone wool panel,
20mm thick

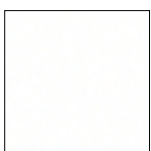


E Edges, painted

Natural glass veil
on reverse side

KEY FEATURES

- Acoustic absorption: $\alpha_w = 0.95$
- Fire reaction: A1
- Light reflection: >87%
- No sagging, humidity resistant
- Reduction in artificial lighting needs
- Increases the daylight factor by >6%
- High density panel



White 09

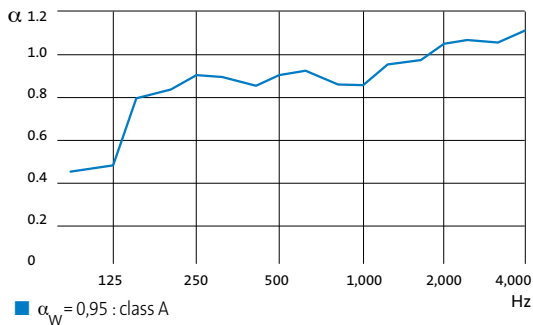


Tonga® E 20

- > Rigid stone wool self-supporting panel.
- > Decorative glass fiber veil on the visible side. Rebated edges.
- > Reinforced on the rear with a natural glass fiber veil.
- > Designed for use with T15 - T15 hollow joint - T24 grids.



Acoustic absorption



Light

- **Light reflection:** Light reflection coefficient superior to 87% for white.
- **White:** L = 94.8% - according to ISO 11664-4.
- **Brightness:** matt - gloss level of 0.75% at an angle of 85° according to ISO 2813.
- **Light diffusion:** 100% of the light is diffused.
- **Natural light intake:** 6% improvement in natural light distribution.
- **Lighting needs:** an 11% reduction in artificial lighting needs.



Fire reaction

- According to standard EN 13501-1: Euroclass A1.



Fire resistance

- Tonga® E 20 ceilings (600 x 600 mm) installed on a T24 QUICK-LOCK® grid (see test report) satisfy the requirements of Section CO13 in the French fire regulations for public-access buildings.

Rating	Module (mm)	Load-bearing structures	Additional insulation
REI 30	600 x 600	Concrete, Steel	No
REI 30	600 x 600	Timber, Concrete, Steel	160 mm Eurolene® 603 + 0 to 200 mm of insulation

- Tonga® E 20 ceilings (600 x 600 mm) installed on a T24 QUICK-LOCK® grid (see test report) are SF 30 according to Belgian standard NBN 713-020.

Thermal-acoustic insulation

- To increase the thermal-acoustic insulation, you are advised to lay insulation of 0 to 200 mm (max $R \approx 5 \text{ m}^2 \cdot \text{K/W}$) bare or with an aluminum vapor barrier.



Humidity performance

- No sagging, humidity resistant.



Environment and health

Environment

- Mineral wool is recyclable, and the vast majority of production waste is recycled. The recycled content of our Tonga® E 20 panels is 45%.
- For projects based on NFHQE™, LEED® and BREEAM® construction principles, the verified Environmental & Health Product Declarations are available at www.inies.fr. Please contact us for more information about environmental certification.
- Eurocoustic is ISO 14001: 2004 certified (Environmental Management System).

Health

- Stone wool panels are manufactured with fibers exempt from the carcinogenic classification (European Regulation 1272/2008 as amended by European Regulation 790/2009). According to the International Agency for Research on Cancer, mineral wool is not classifiable as to its carcinogenicity to humans (Group 3).



CE marking

- DoP no.: 0007-05.



Indoor air quality

- Tonga® E 20 ceilings are classed: A.



Installation

- Installation must conform to the requirements of the DTU 58.1 code of practice, the NF P 68203-1 and 2 standards and other applicable standards and codes of practice according to the type of room.
- You are advised to ensure that air can circulate between the rooms and the plenum to balance the temperature and pressures on each side of the ceiling.
- Tonga® E 20 ceilings are installed on T15 - T15 hollow joint - T24 grids.
- Tiles can be cut with a craft knife without generating any noise or dust.



Cleaning

- The surface of Tonga® E 20 ceilings does not retain dust, which makes them easier to clean.
- Tonga® E 20 ceilings can be cleaned with a light brush or vacuum cleaner.
- This type of cleaning will help extend the service life of Tonga® E 20 ceilings.

AT A GLANCE

Color	White 09	
Edge	E	
Grids	T15 - T15 hollow joint	T24

Module size (mm)

Width	600	600
Length	600	1200
Thickness	20	20

Packaging

Panels/pack	20	10	6
m ² / pack	7.20	7.20	8.64
Packs/pallet	20	20	18
Service class	A	A	C

Tonga® E 20 ceiling packs are shrink-wrapped for protection. Pallets are wrapped in plastic film and must be stored under cover.

